

eStudio LED Electric Fire Range

INSTALLATION INSTRUCTION DIMENSIONS ADDENDUM



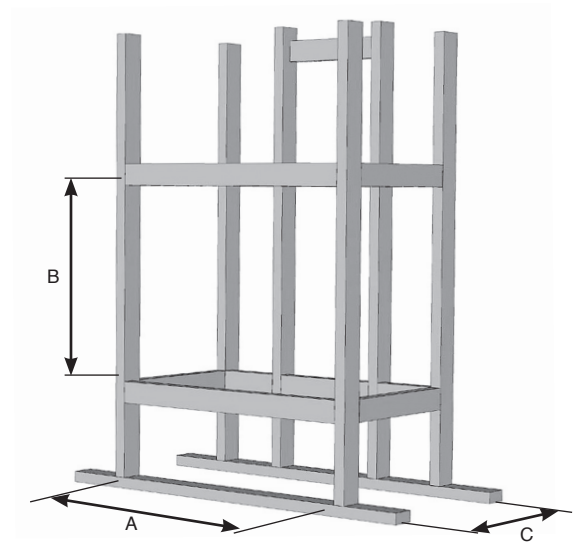
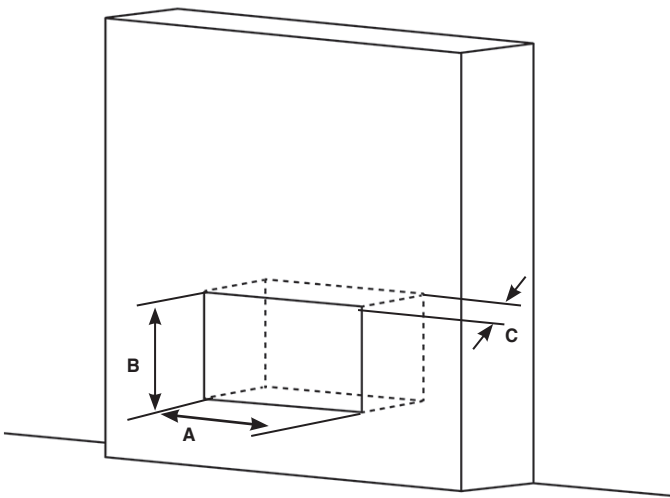
THIS ADDENDUM MUST BE ATTACHED TO AND READ IN CONJUNCTION WITH THE INSTALLATION AND USER INSTRUCTIONS FOR:

• PR2962 eStudio User & Installation Instructions Issue 1 & 2

Following publication of the above manuals modifications have been made to the following sections:

Installation Section Dimensions

The sections below supersedes any other instructions relating to the installation of the product in the instruction manual.



	A	B	C
eStudio 85R	941	520	193
eStudio 105R	1141	520	193
eStudio 135R	1441	520	193

FOR ENQUIRIES IN THE U.K (EXCLUDING NI):

Gazco Ltd, Osprey Road, Sowton Industrial Estate, Exeter, Devon, England EX2 7JG
Tel: (01392) 261900 E-mail: info@gazco.com

FOR ENQUIRIES IN EUROPE (INCLUDING NI):

Stovax Heating Group (NI) Ltd (Comp reg NI675194), 40 Linenhall Street, Belfast, BT2 8BA DX 400 NR Belfast
Tel: +44 (0)1392 261990 E-mail: northernireland@gazco.com

PR3094.1.06.2021